



Massachusetts Institute of Technology

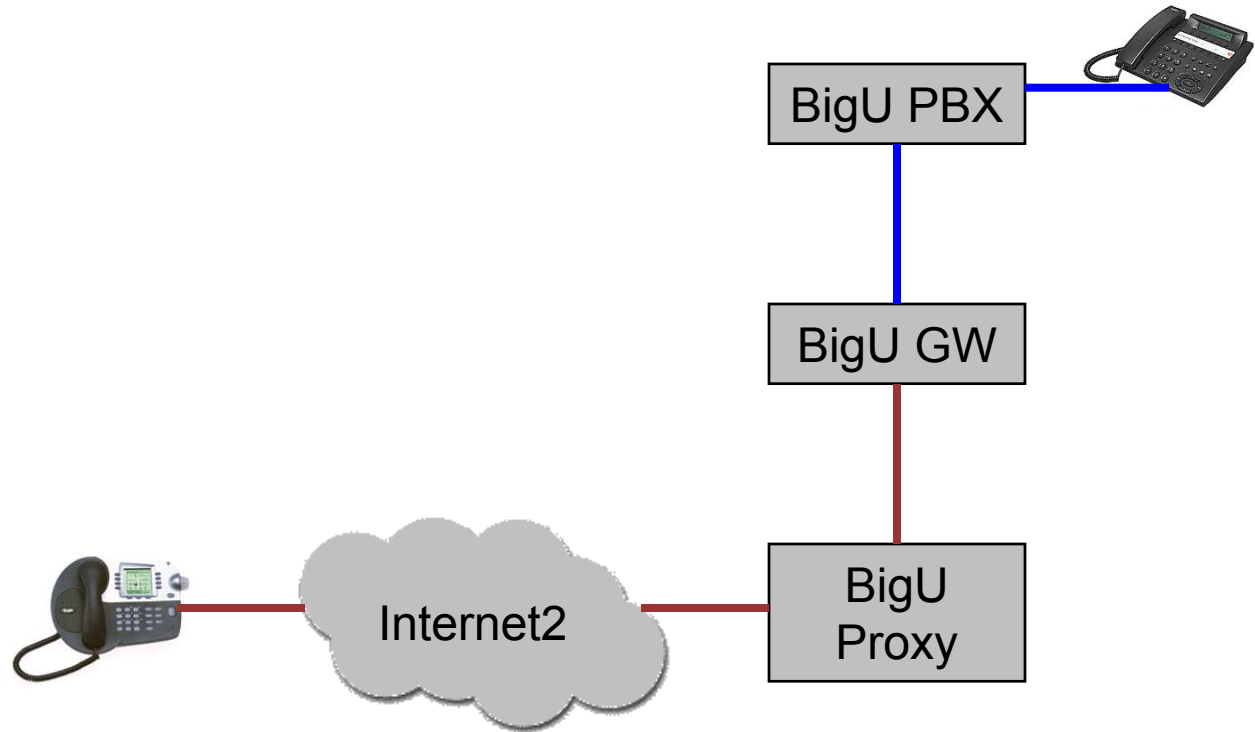
# Caller Identities and Trust in the SIP.edu Environment

Dennis Baron

September 2, 2004

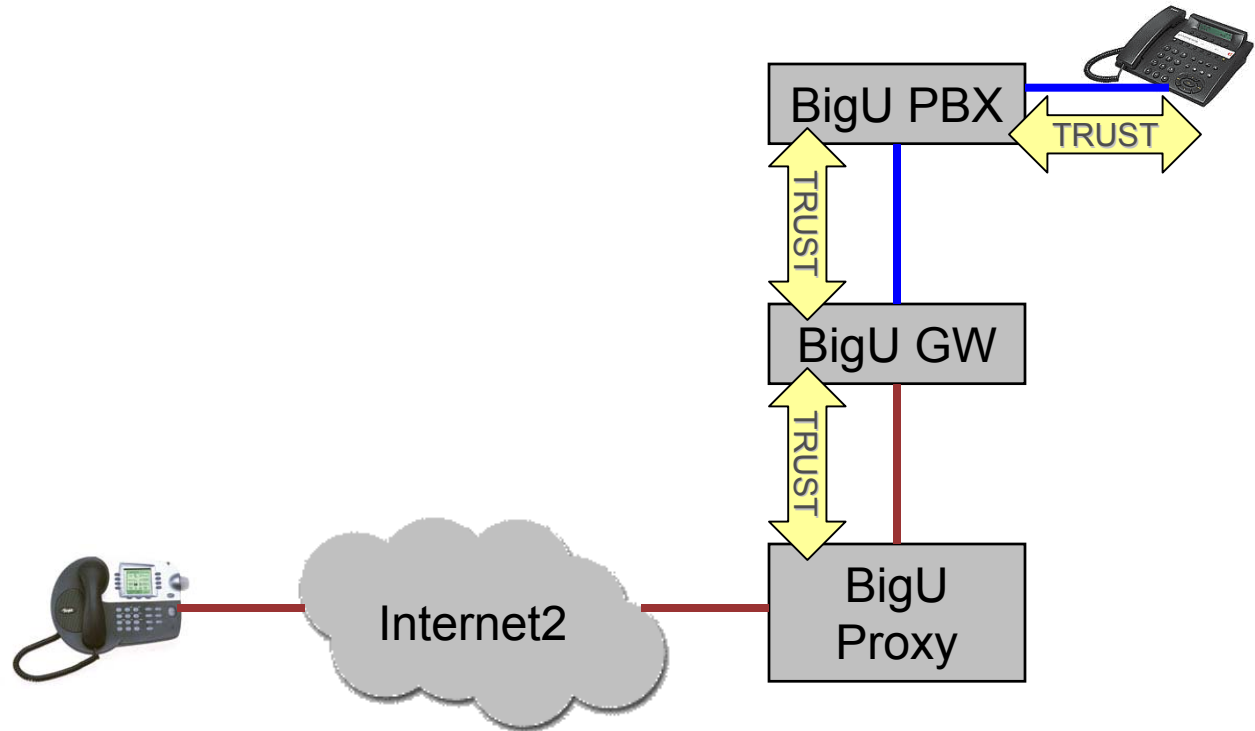
# SIP.edu Components

---

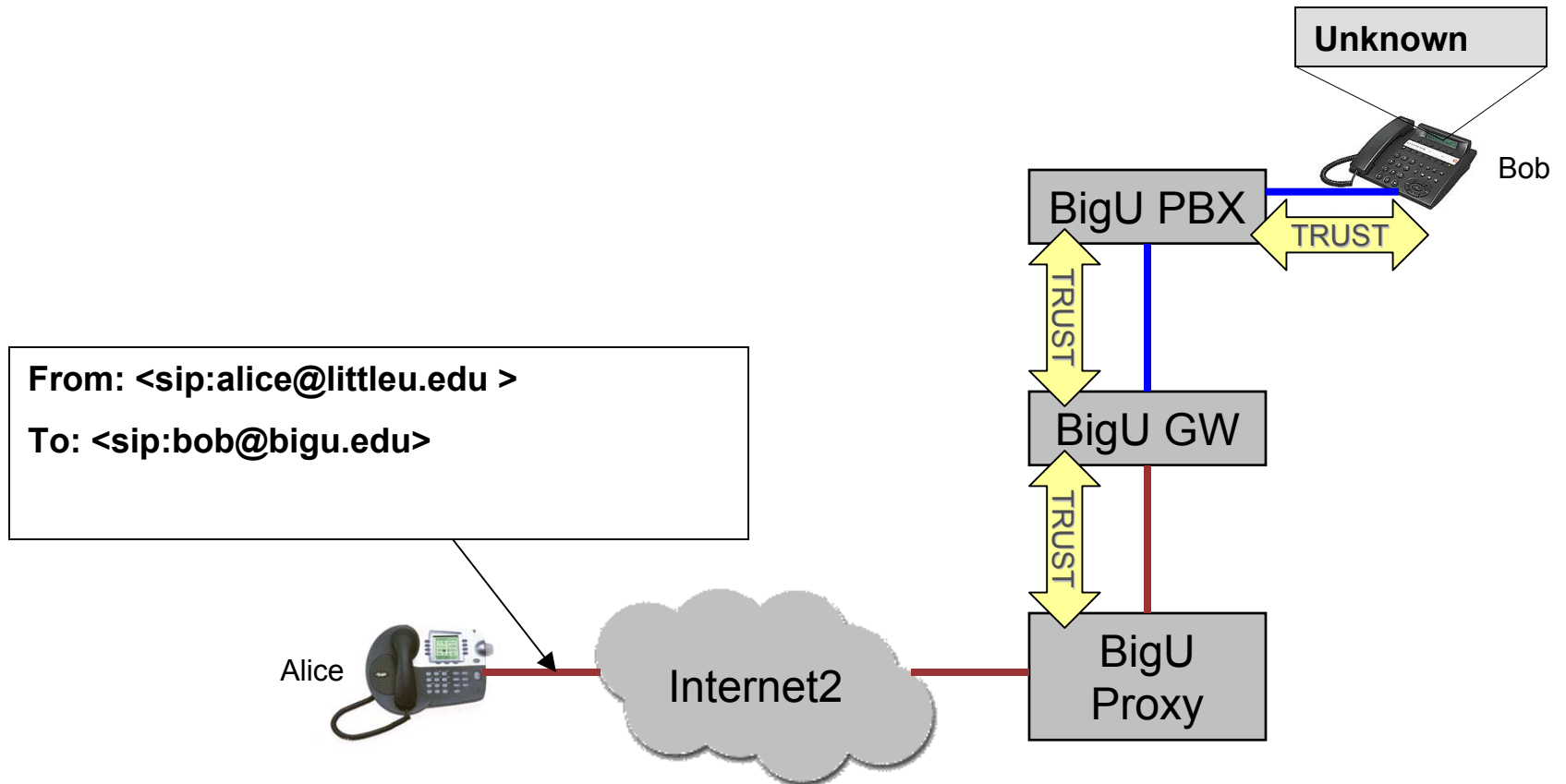


# Trust Relationships

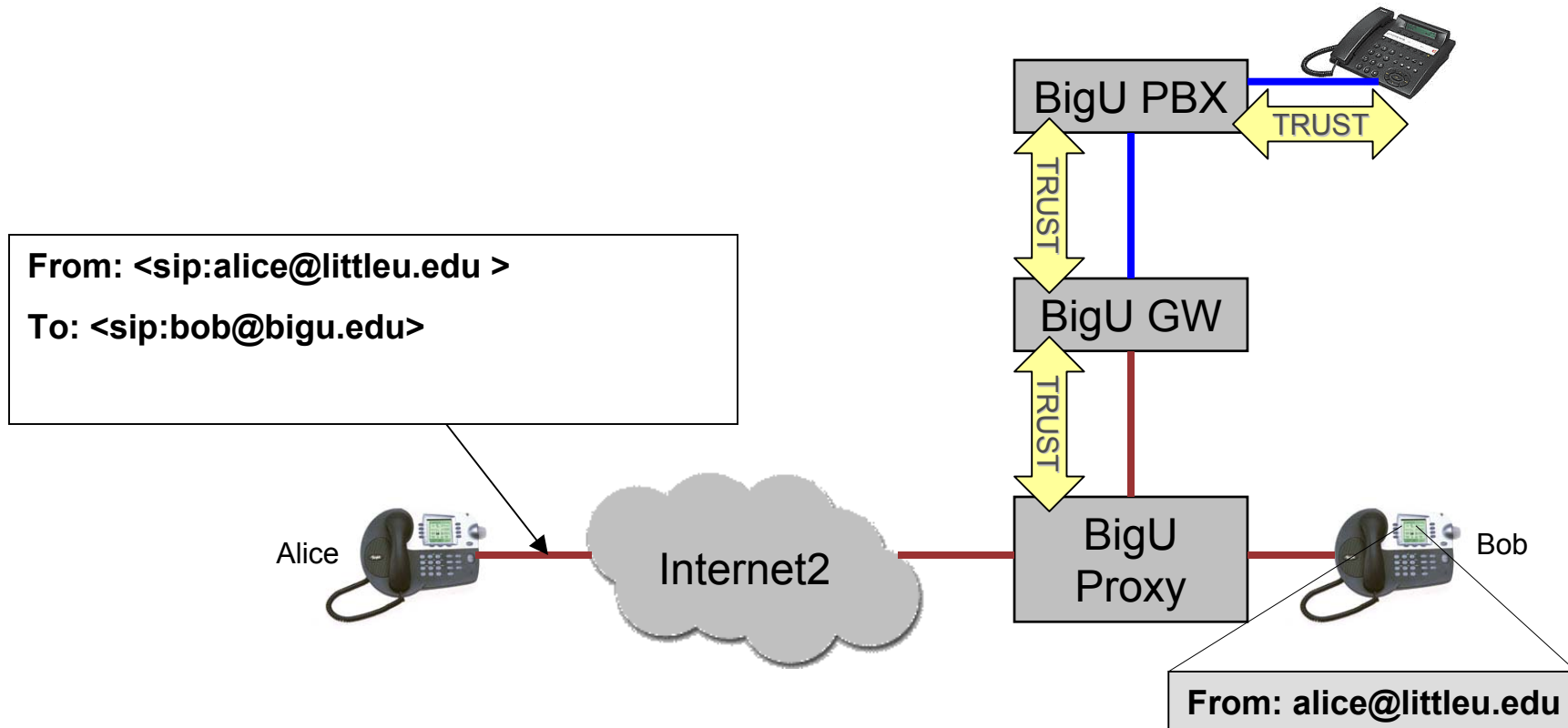
---



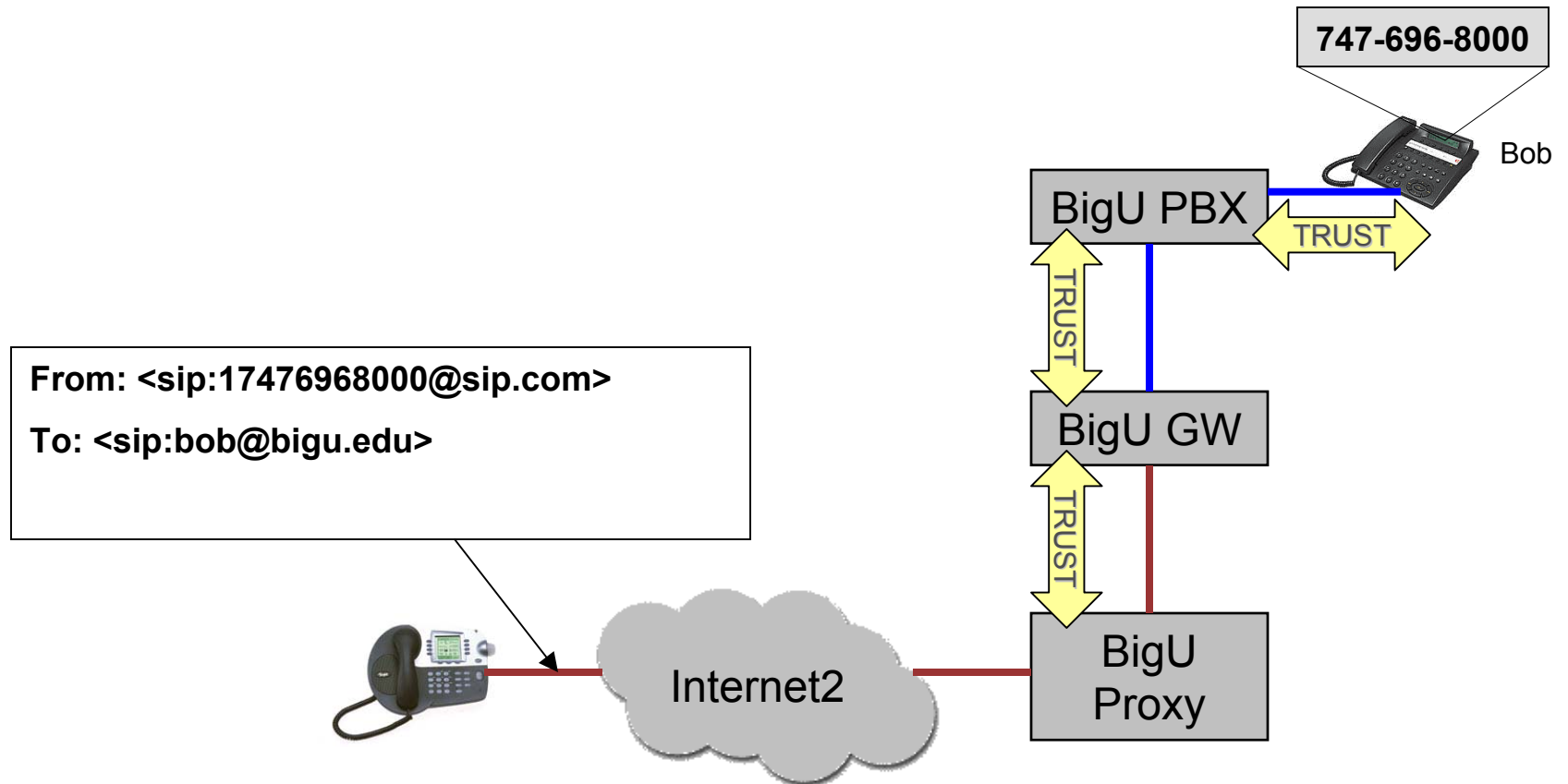
# SIP.edu Call



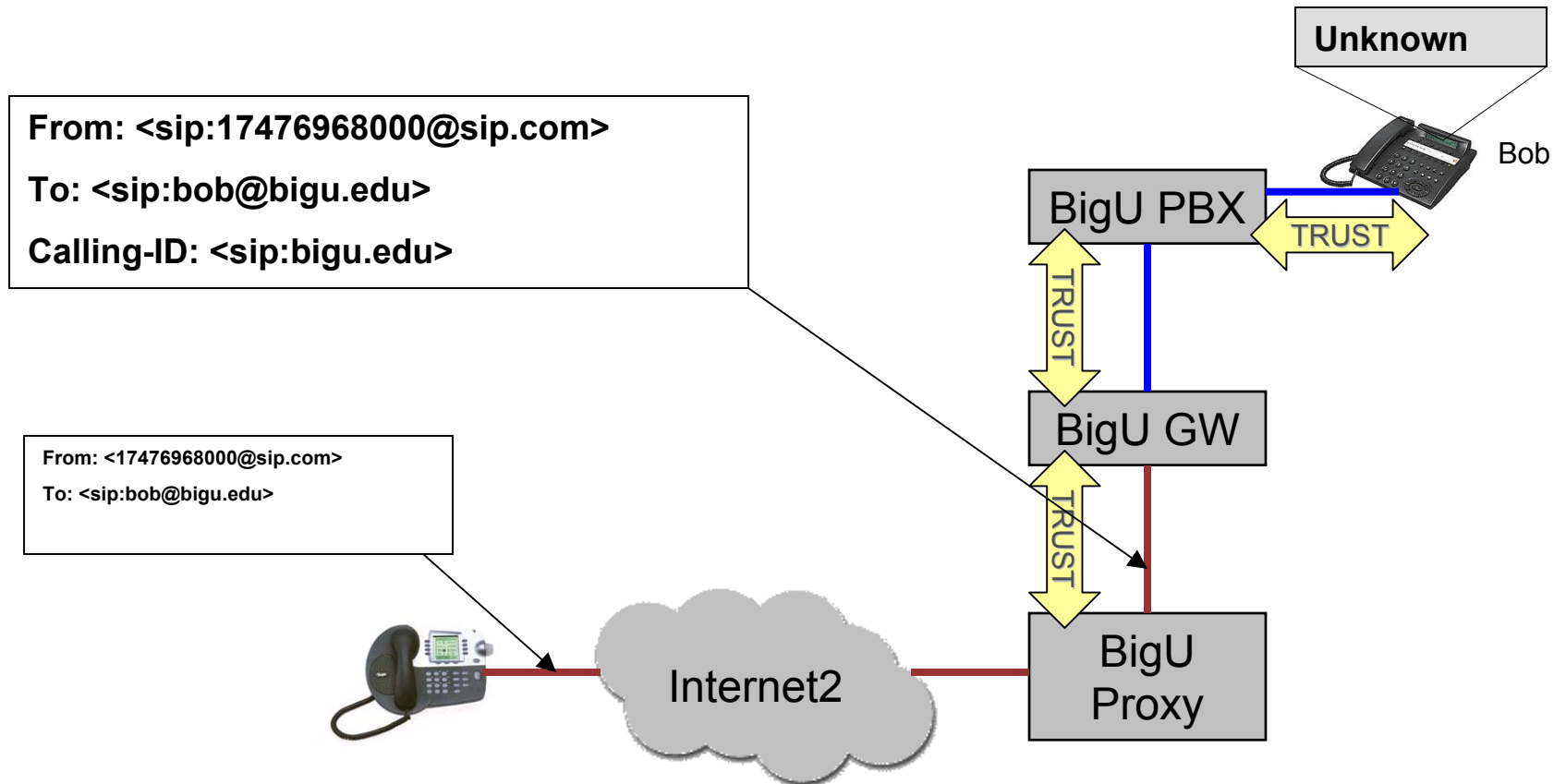
# SIP.edu Call



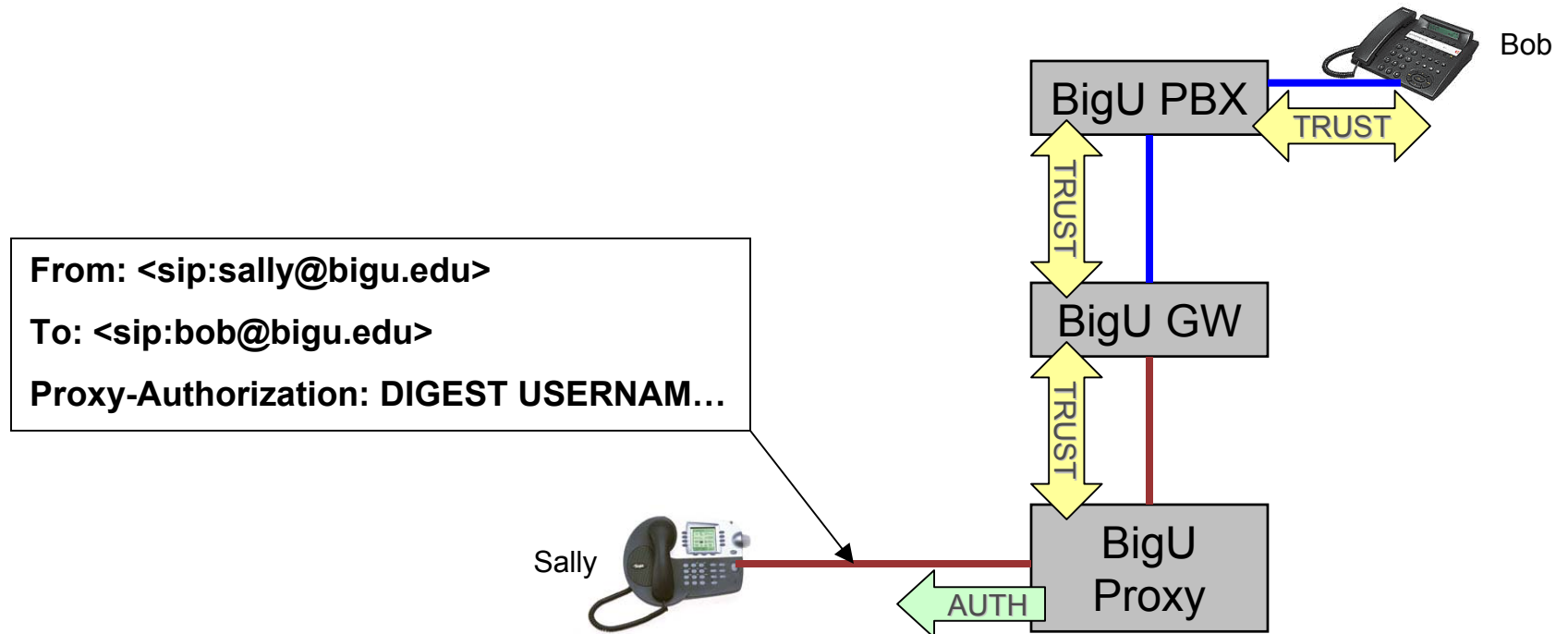
# Call with “From” Number



# Calling Number Removal

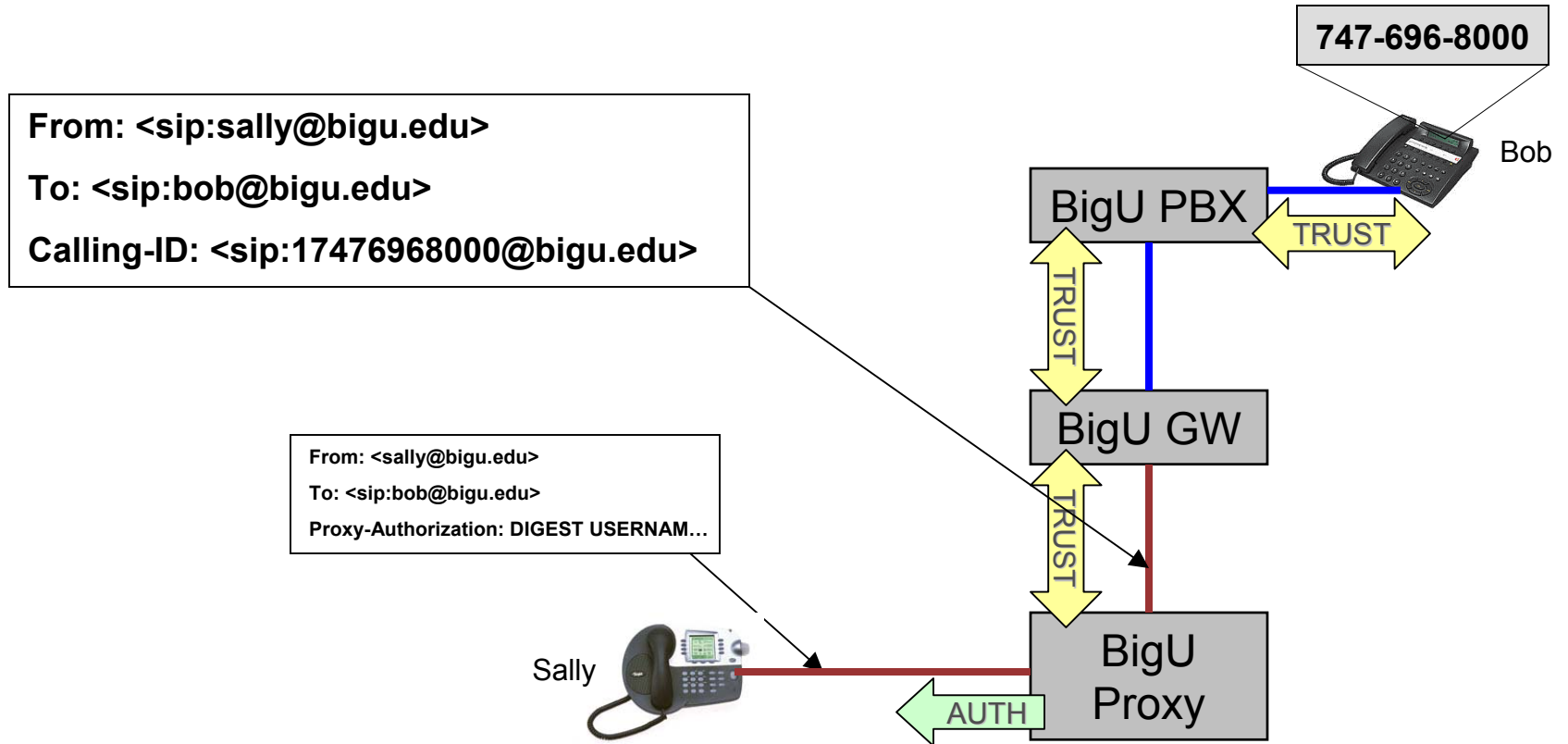


# Call with Authentication

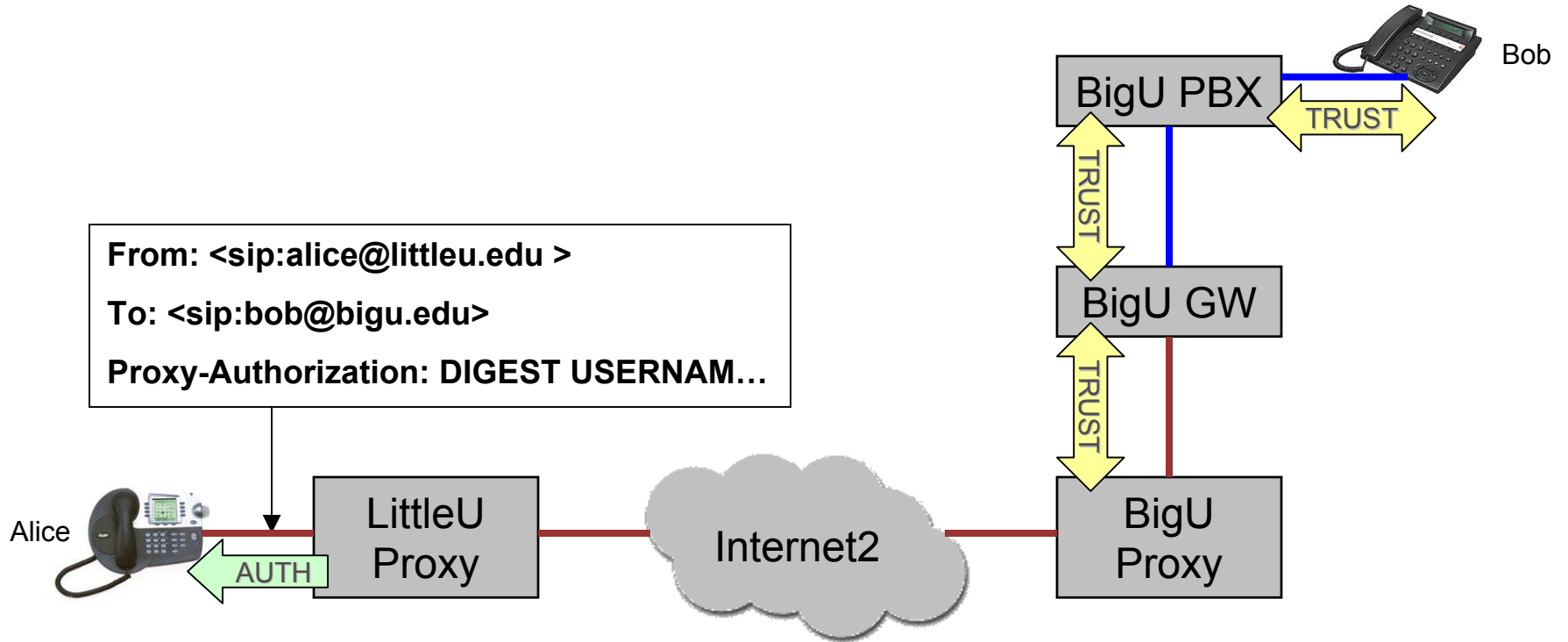




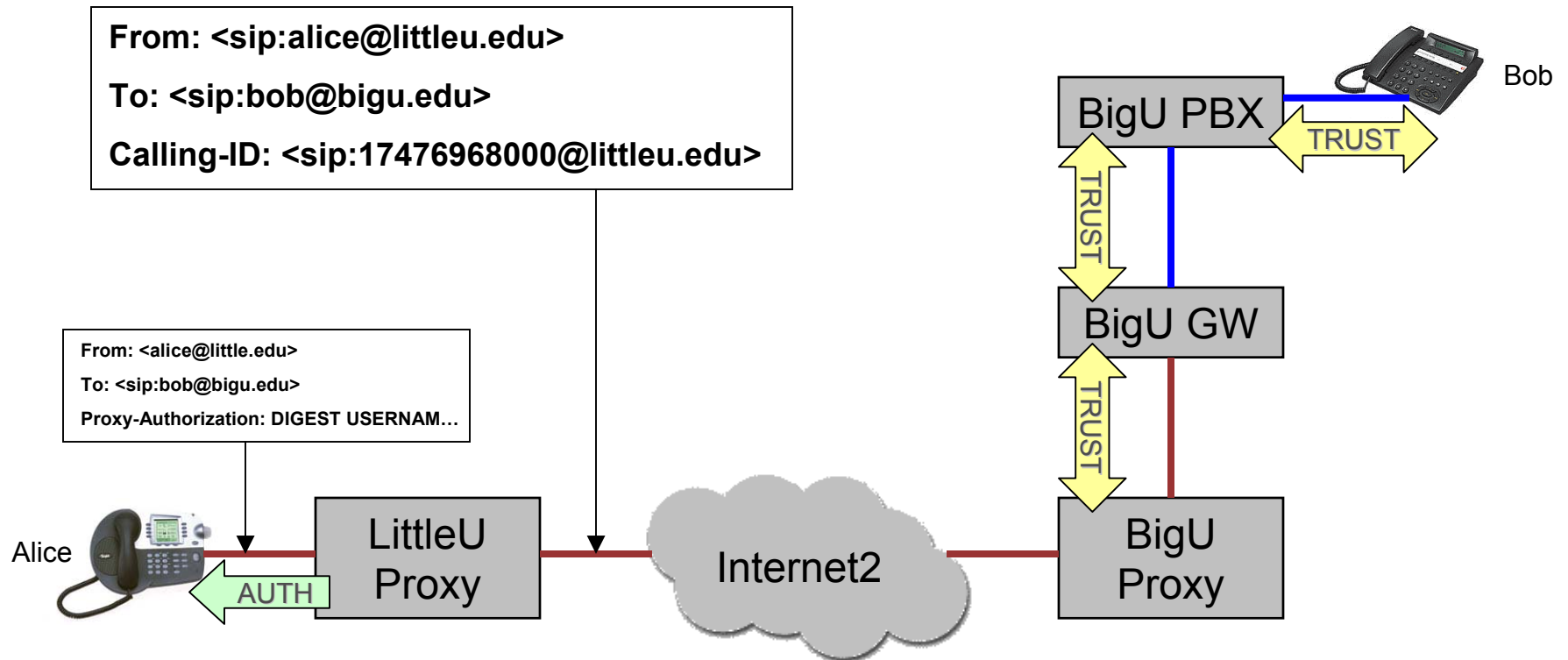
# Calling Number Insertion



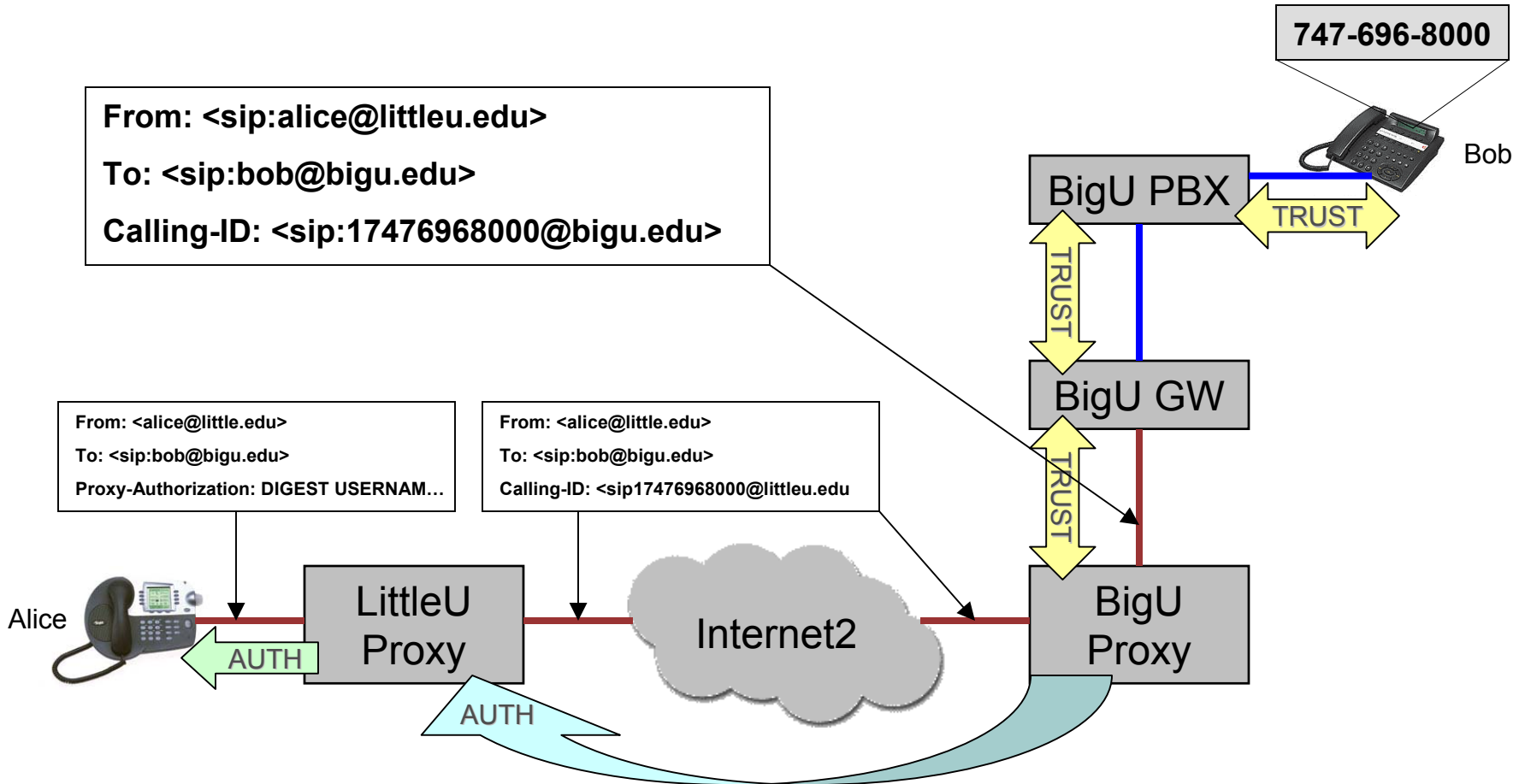
# Local Authentication



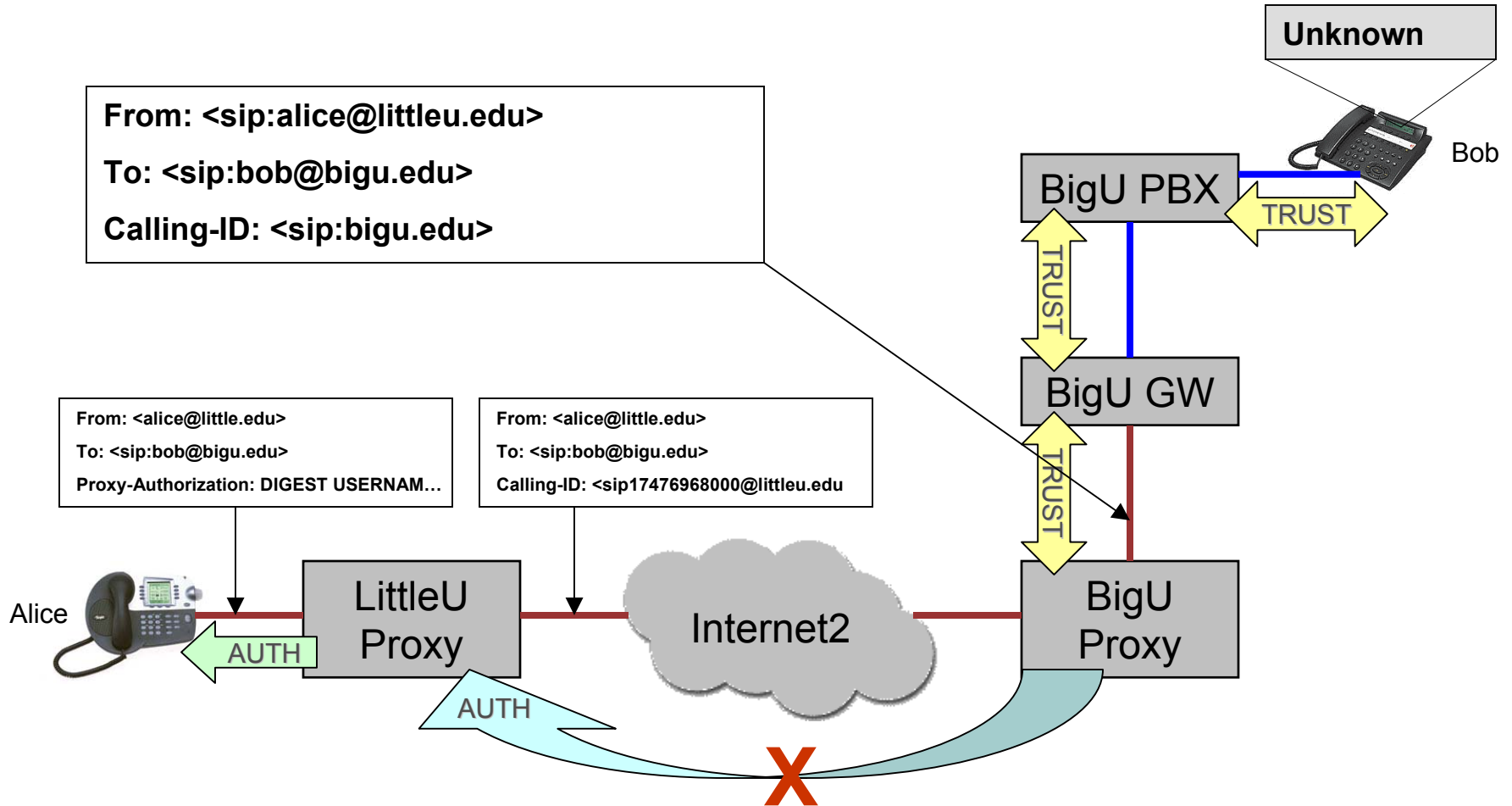
# Calling Number Insertion



# Inter-domain Authentication



# Inter-domain Authentication Failure



# Call from PBX

